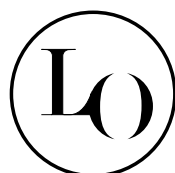


OLIMPIA P

design LORELUX®



LORELUX

LORELUX - OLIMPIA P DATASHEET



Concept Simple and functional design for a sustainable and resistant urban lighting with an easy maintenance.

Description Olimpia is a LED urban luminaire suitable for illuminating parks, squares and city roads. Its lighting body is made from innovative polymeric materials that respect urban ecology and resist corrosion, extreme temperatures (from - 60°C to + 80°C) and UV discolouration thanks to the innovative Rotoskin® patented system, the self-cleaning covering providing a protective shield on all exposed surfaces of the luminaire. Olimpia includes post top and post top on arm mounting, and both suspended and on catenary mounting. In addition, it offers a wide range of finishes and photometries, as well as remote-control devices guaranteeing further savings and road safety.

Materials

Mono-material (Vxxx finishes):
100% recyclable and PSV (Plastic Second Life) certified polyethylene (from 50 to 98% of post-consumer plastic content), anti-discolouration, UV stabilised and batch-dyed.

Floral (Rxxx finishes):
100% recyclable and PSV (Plastic Second Life) certified compound (with post-consumer plastic content equal to 75%), obtained from the combination of flakes and PE powders with anti-UV additives.

Product's preview



Plus

- Lighting body's useful service life of over 50 years
- Immunity to corrosion by atmospheric agents and pollutants
- Resistance to impacts and vandalism
- No flaking or significant discolouration over time
- Interchangeable LED engine for upgrades and/or repairs
- Wide range of finishes from recycled polyethylene (PSV -Plastic Second Life- certified)
- Wide range of photometries in order to meet

Product's certifications



Material's certifications



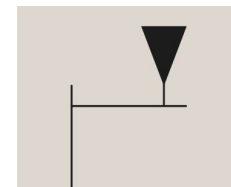
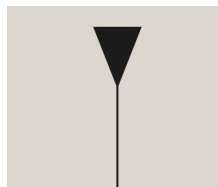
Application areas



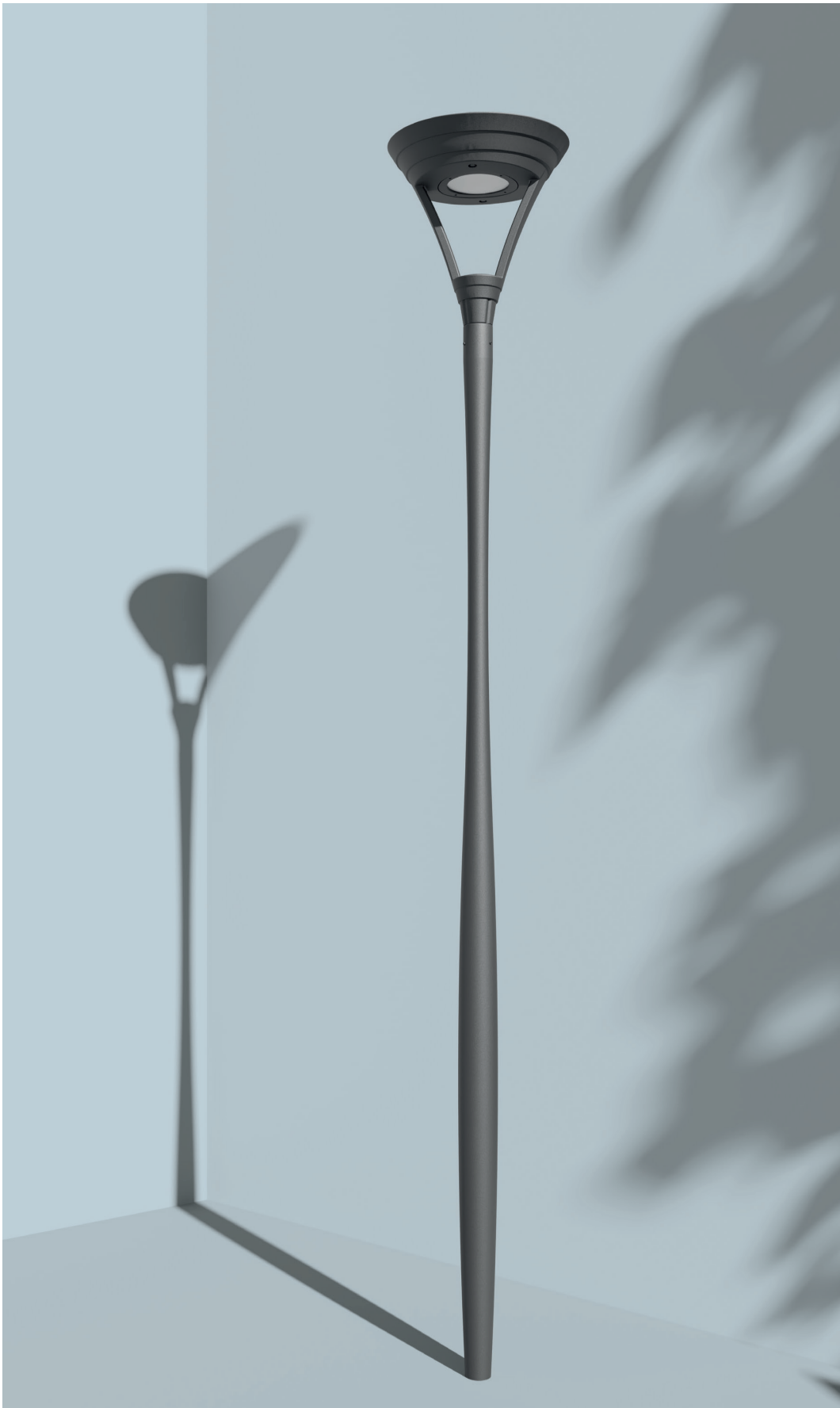
Mountings

Post top
Code KM-OLIMPIA-P

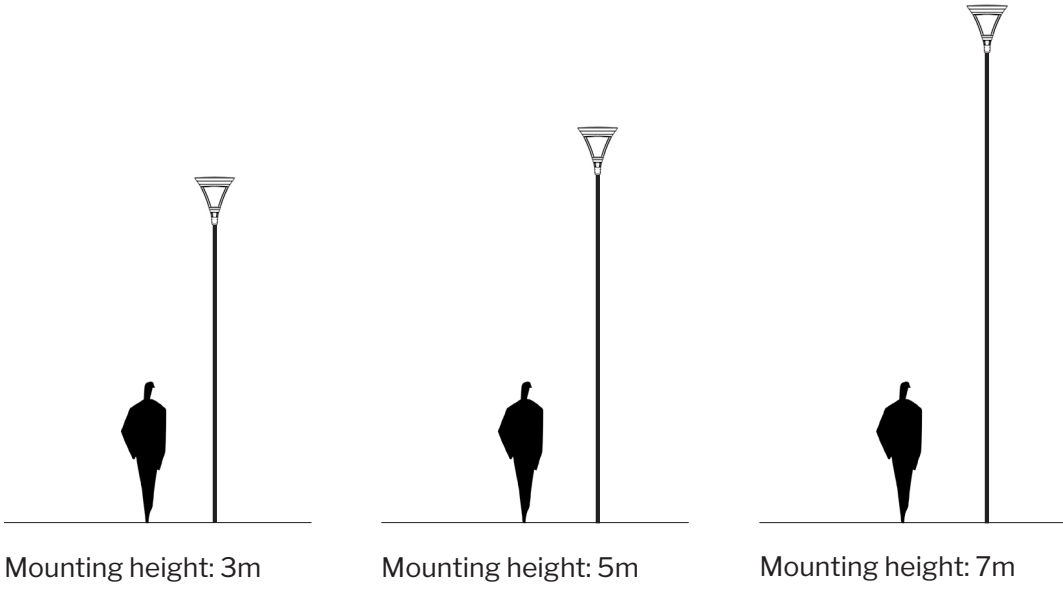
Post top on arm
Code KM-OLIMPIA-P



LORELUX - OLIMPIA P DATASHEET



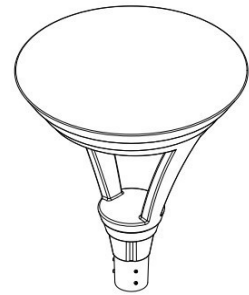
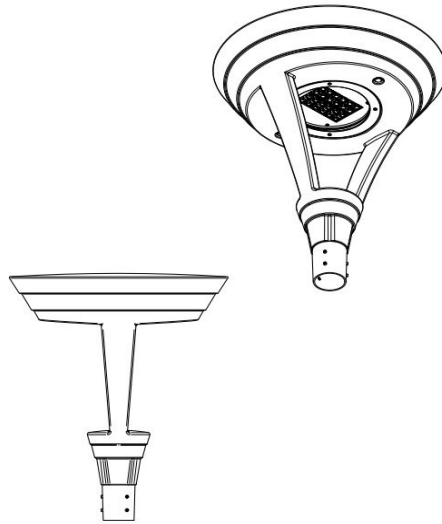
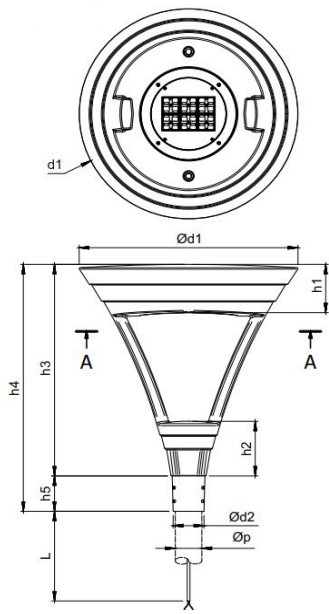
Installation examples



LORELUX - OLIMPIA P DATASHEET

Technical drawing

Post top mounting



DIMENSION TABLE

$d1 = \text{Ø}625 \text{ mm}$
 $d2 = \text{Ø}89 \text{ mm}$
 $p = \text{pole } \text{Ø}76 \text{ mm} \times 80 \text{ standard}$
 pole $\text{Ø}60 \text{ mm} \times 80 \text{ with adapter}$
 pole $\text{Ø}89 \times 102 \text{ mm} \times 80 \text{ optional}$
 $h1 = 144 \text{ mm}$
 $h2 = 163 \text{ mm}$
 $h3 = 630 \text{ mm}$
 $h4 = 735 \text{ mm}$
 $h5 = 105 \text{ mm}$
 Outgoing cable length: $L = 1000 \text{ mm}$

Weight = 10,0 kg
 Wind exposure: $S_{cx} = 0,307 \text{ m}^2 \text{ base}$
 $= 0,130 \text{ m}^2 \text{ lateral}$

LORELUX - OLIMPIA P DATASHEET

MAIN FEATURES

Manufacturer	NITEKO S.R.L.
Brand	LORELUX®
Series	Olimpia P model
Device type	LED urban luminaire
Application areas	Street, urban and residential lighting Historic centres, squares, car parks and green areas Pedestrian areas and cycle lanes
Mounting	Post top
Mounting accessories	Standard: KM-OLIMPIA-P-HUB76 (for Ø76 mm poles) Optional: · KM-OLIMPIA-P-RID60 (reducer for Ø60 mm poles) · KM-OLIMPIA-P-IN60 (male accessory for Ø60 mm poles) · KM-OLIMPIA-P-IN76 (male accessory for Ø76 mm poles) · KM-OLIMPIA-P-IN89 (male accessory for Ø89 mm poles) · KM-OLIMPIA-P-IN104 (male accessory for Ø102 mm poles)
Product's protection rating	External agents: IP66 Mechanical impacts: IK10 Chemical VOC Free Electrical: EOS Free SPD: MC ≤ 12 kV ; MD ≤ 12kV ; I ≤ 10kA Photobiological: RG1 (D > 1,97m)
Material's protection rating	UV: 15 (15.000 h) Flame: HB Discolouration: max CMC 3 colour deviation for 3.000 h according to ISO 4892-2 B1 cycle
Temperature	Operating: -40°C ÷ +45°C (Control via N.T.C.) Storage: -40°C ÷ +80°C
Energy rating	>A++
Warranty	Body: 20 years Light source: 10 years
Certifications	Product: CE; ENEC; RoHS; EOS free; VOC free; EPD Italy (Pending); IEC/EN 62262 Material: UL94; ISO 4892-2; PSV (Plastic Second Life)
Optical compartment / Electric compartment	Separated Opening of the compartments after removal of the anti-fall fixing screws Optional Tool Less Opening

LORELUX - OLIMPIA P DATASHEET

OPTICAL FEATURES

Light source	HI Power LED
LED modules	PCB, independent and replaceable
Optics	Independent and replaceable
Nominal luminous flux	2.173 ÷ 12.998 lm
Light source efficiency	<ul style="list-style-type: none"> · $\eta_{LED} > 180 \text{ lm/W}$ (CCT > 4.000 K / CRI > 70) · $\eta_{LED} > 170 \text{ lm/W}$ (CCT > 3.000 K / CRI > 70) · $\eta_{LED} > 160 \text{ lm/W}$ (CCT > 2.700 K / CRI > 70) · $\eta_{LED} > 150 \text{ lm/W}$ (CCT > 2.200 K / CRI > 70)



LORELUX - OLIMPIA P DATASHEET

Colour temperature	Standard CCT: 3.000K Optional CCT: 2.200K; 2.700K; 4.000K; 5.000K; 5.700K Colour stability: 3 Step MacAdam
Colour rendering index	Standard CRI: 70 Optional CRI: 80; 90
Photometries	Asymmetric; rotosymmetric
Optical performance	$\eta_{OPT} : 68 \div 78\%$
Lighting fixture efficiency	$\eta_{FIX} > 120 \text{ lm/W}$ (CCT > 4.000 K / CRI > 70) $\eta_{FIX} > 115 \text{ lm/W}$ (CCT > 3.000 K / CRI > 70) $\eta_{FIX} > 105 \text{ lm/W}$ (CCT > 2.700 K / CRI > 70) $\eta_{FIX} > 95 \text{ lm/W}$ (CCT > 2.200 K / CRI > 70)
Light intensity class	$\geq G^*2$
Glare index	$\geq D.4$
ULR / ULOR	0,00%
Service life	L98 B10: > 100.000 h (TJ = 85 ° C IF \leq 500mA) L90 B10: > 120.000 h (TJ = 85 ° C IF \leq 500mA) L80 B10: > 270.000 h (TJ = 85 ° C IF \leq 500mA) L70 B10: > 450.000 h (TJ = 85 ° C IF \leq 500mA)

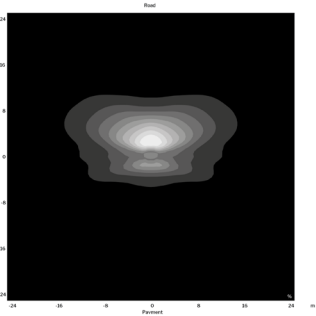
LORELUX - OLIMPIA P DATASHEET

CONFIGURATIONS

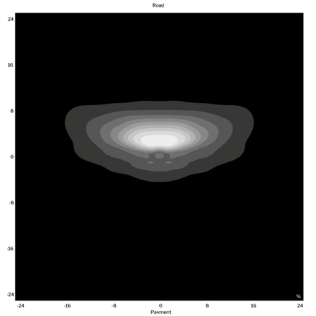
Model	Power [W]	Nominal luminous flux [lm]			
		4.000 K CRI 70 5.000 K CRI 70 5.700 K CRI 70	3.000 K CRI 70	2.700 K CRI 70 4.000 K CRI 80	2.200 K CRI 70 2.700 K CRI 80 3.000 K CRI 80 5.700 K CRI 90
OLIMPIA-P 15 W	15,7	2.823	2.694	2.440	2.173
OLIMPIA-P 20 W	20,8	3.860	3.672	3.333	2.961
OLIMPIA-P 30 W	24,6	4.533	4.314	3.913	3.470
	30,9	5.582	5.298	4.816	4.260
OLIMPIA-P 40 W	34,6	6.172	5.852	5.323	4.692
	39,2	6.882	6.519	5.930	5.209
OLIMPIA-P 50 W	36,4	6.896	6.564	5.957	5.299
	40,7	7.721	7.343	6.667	5.923
	46,5	8.798	8.370	7.595	6.739
	51,3	9.591	9.120	8.279	7.341
OLIMPIA-P 60 W	54,6	10.115	9.611	8.730	7.738
	62,0	11.426	10.842	9.858	8.713
OLIMPIA-P 70 W	64,0	11.819	11.211	10.196	9.002
	71,4	12.998	12.319	11.209	9.857

PHOTOMETRIES

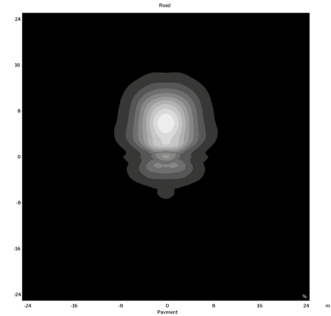
Asymmetric



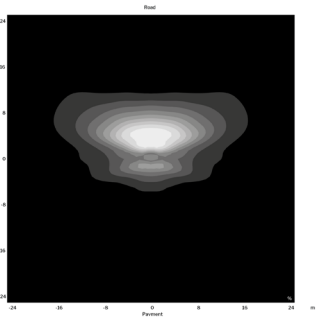
Code A1 ($\eta = 71\% \mid G^*6$)



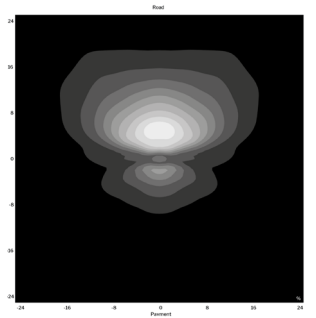
Code A2 ($\eta = 72\% \mid G^*4$)



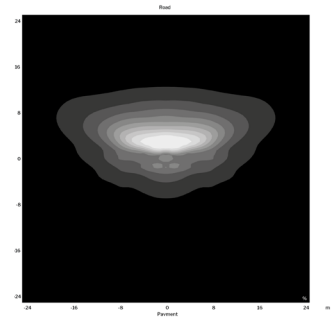
Code A3 ($\eta = 78\% \mid G^*6$)



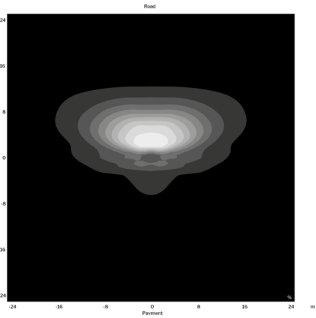
Code A4 ($\eta = 73\% \mid G^*6$)



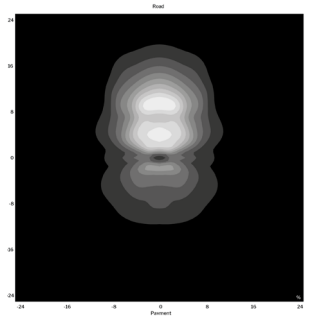
Code A7 ($\eta = 74\% \mid G^*2$)



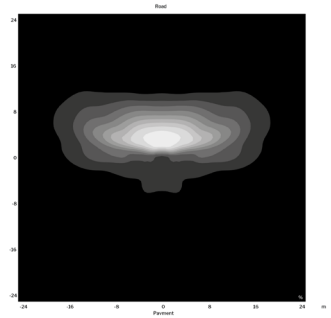
Code A8 ($\eta = 68\% \mid G^*1$)



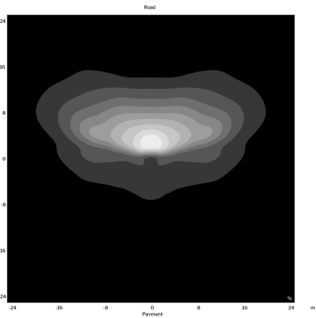
Code A9 ($\eta = 72\% \mid G^*4$)



Code A13 ($\eta = 75\% \mid G^*6$)

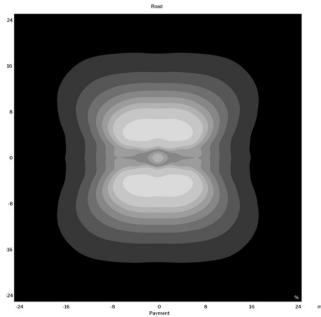


Code AB2 ($\eta = 73\% \mid G^*3$)



Code AB4 ($\eta = 74\% \mid G^*3$)

Rotosymmetric



Code R1 ($\eta = 72\%$ | G*6)

Optional

Other photometries available on request.

LORELUX - OLIMPIA P DATASHEET

ELECTRICAL FEATURES

Power supply	Standard 240V AC : 175 ÷ 264 V AC; 50 / 60 Hz Optional 240V AC: 120 ÷ 277 V AC; 50 / 60 Hz Optional 12V DC: 9 ÷ 18 V DC Optional 24V DC: 18 ÷ 32 V DC
LED power current	$I_f \leq 500 \text{ mA}$
Insulation class	Standard: class II Optional: class I
Power	15 ÷ 70W
Power factor	PF > 0,97 (Active PFC)
Electrical efficiency	$\eta_{EL} : 83 \div 92 \%$
Electrical connection	External power cable (IP66 protected electrical connector). Standard length: 1,0 m Standard Cable (Class II): H07RN-F 2x1,5mmq; Optional Cable (Class I):H07RN-F 3x1,5mmq; Optional Cable (DALI): H07RN-F 5x1,5mmq;
Electrical protection	Built-in SPD: C.M. $\leq 12 \text{ kV}$; D.M. $\leq 12 \text{ kV}$; I $\leq 10 \text{ kA}$

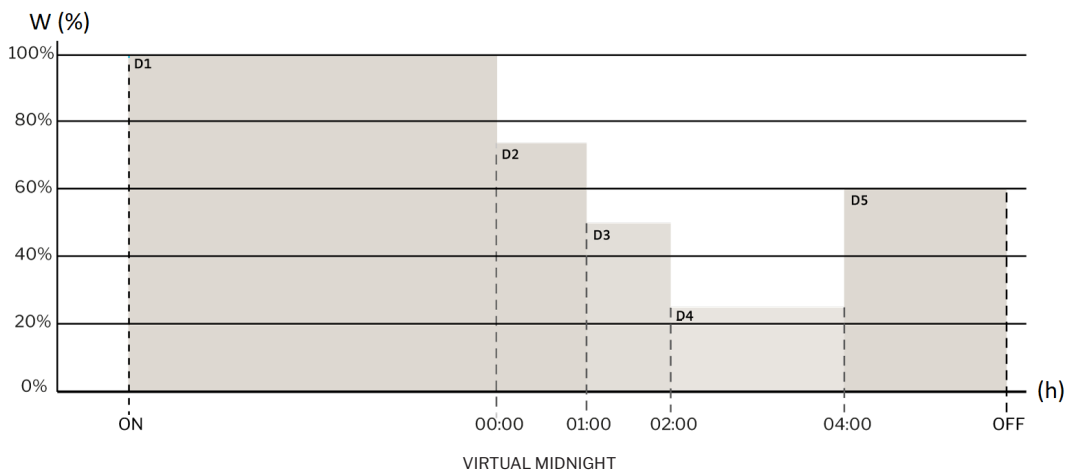


CONTROL FEATURES

Autonomous dimming	K-OLIMPIA-PRG5: automatic control up to 5 daily profiles
	K-OLIMPIA-CLO.LITE: constant lighting control during the lifetime with a single profile
	K-OLIMPIA-CLO.FULL: constant lighting control during the lifetime up to 20 profiles
Control cable dimming	K-OLIMPIA-DIM: 1-10V analogue control
	K-OLIMPIA-DALI: DALI digital control
	K-OLIMPIA-D4i: DALI 2.0 / AUX 24 V DC digital control
Power Line control dimming	K-OLIMPIA-PLV: Power Line Voltage control
Radio wave control	K-OLIMPIA-NEMASCK: control with NEMA device
	K-OLIMPIA-ZAGHASCK: control with ZHAGA device

CONTROL FUNCTIONS

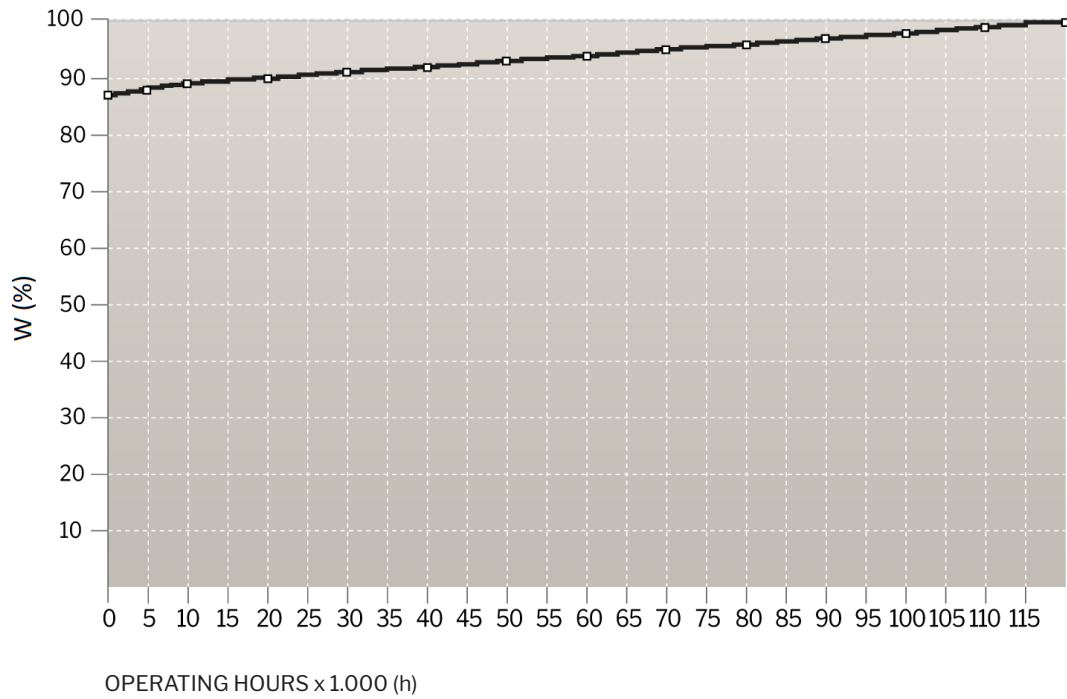
PRG5 module



The PRG module allows to control and reduce the luminous flux of the lighting fixture from 10% to 100% of the maximum value, without the use of dedicated cables

- D1: time slot ON - 23:59 → power 100%
- D2: time slot 00:00 - 00:59 → power 75%
- D3: time slot 01:00 - 01:59 → power 50%
- D4: time slot 02:00 - 03:59 → power 25%
- D5: time slot 04:00 - OFF → power 60%

CLO module

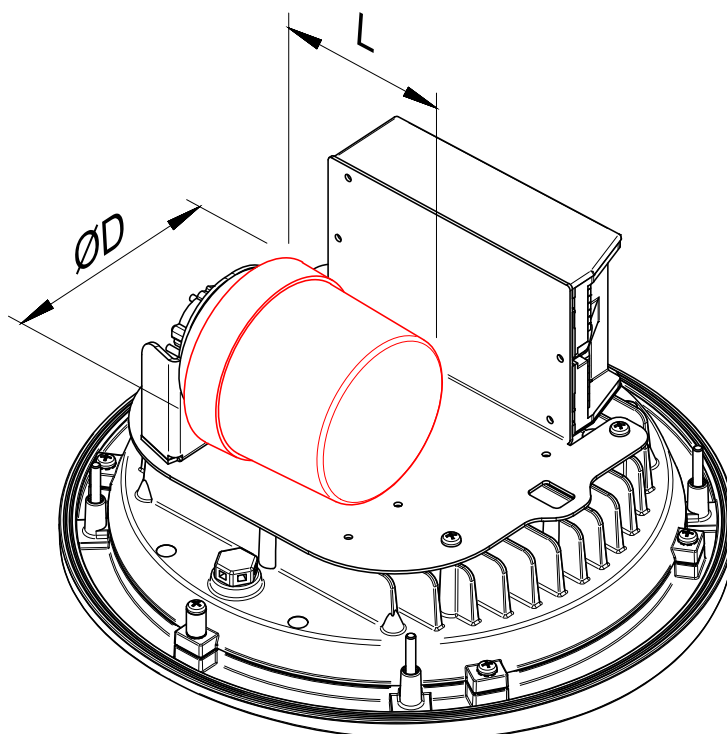
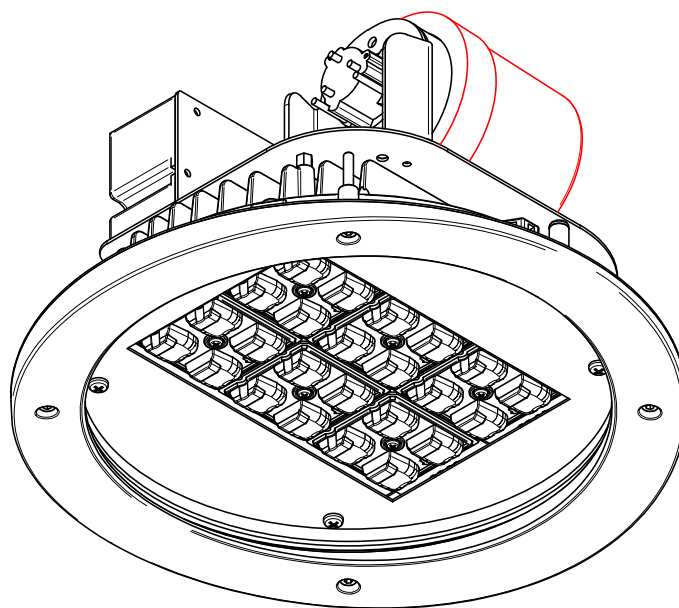


The CLO function allows to gradually increase the level of light output over time from a lower initial luminous flux up to 100%, thus compensating the luminous flux degradation of the LED module during the lighting fixture entire lifetime. It can also serve as a means to reduce energy consumption.

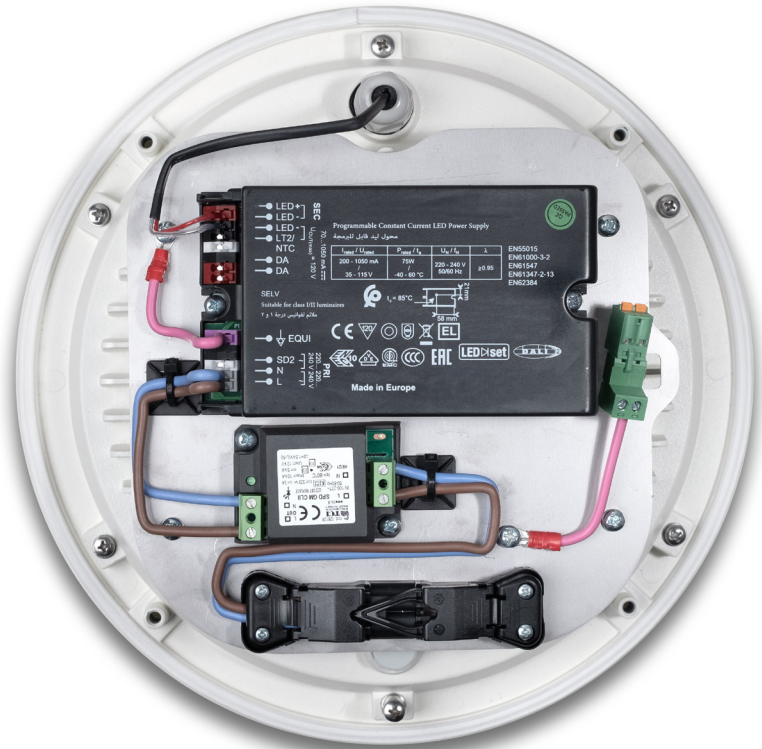
ELECTRIC COMPARTMENT

Maximum possible
dimensions [mm] for
remote-control devices:

$\text{ØD} \times \text{L} = 84 \times 74$



LORELUX - OLIMPIA P DATASHEET



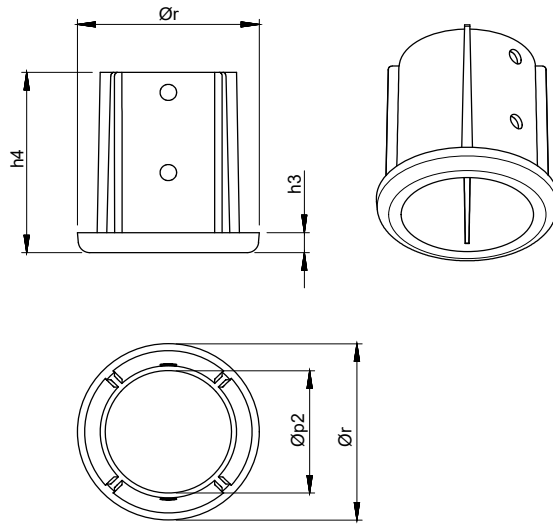
LORELUX - OLIMPIA P DATASHEET

MECHANICAL FEATURES

Materials	<p>Body: UV stabilised polyethylene, self-cleaning, anti-discolouration and PSV (Plastic Second Life) certified, 5 mm minimum thickness</p> <p>Heat sink: die-cast aluminium</p> <p>LED modules: aluminium</p> <p>Optics: PMMA, PC</p> <p>Screen: tempered flat glass, 5 mm thickness</p> <p>Gaskets: silicone</p> <p>Anti-condensation valves: PA (polyamide)</p> <p>Accessories: stainless steel</p> <p>Screws: stainless steel</p> <p>Packaging: FSC cardboard</p>
Recycled plastic content	<p>Black: 98%</p> <p>Coloured: 50%</p> <p>Floral: 75%</p>
Service life	<p>Body: >50 years</p> <p>Components: >10 years</p>
Dimensions and weight	<p>Ø625 x h735 mm 10,00 kg</p>
Wind exposure	<p>Base: 0,307 mq</p> <p>Lateral: 0,130 mq</p>
Packaging free from both polystyrene and internal cardboard inserts	<p>Primary: W650 x L650 x H800 mm 11,5 kg 1 pcs / box (eco-friendly packaging)</p> <p>Tertiary: W800 x L1.300 x H1.750 mm 60,0 kg 4 pcs / pallet (eco-friendly packaging)</p>

Tolerance: luminous flux +/-5%; power consumption +/- 5%;
dimensions +/-1%; weight +/-3%

MOUNTING ACCESSORIES

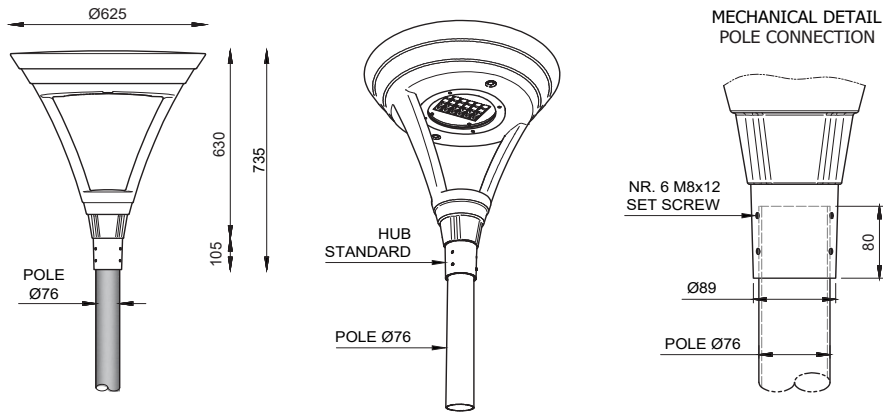


Optional:
Code **KM-OLIMPIA-P-RID60** (reducer for $\text{Ø}60$ mm poles)

$\text{Øp2} = \text{Ø}60$ mm pole - 90 mm depth | $\text{Ør} = 88$ mm | $h3 = 10$ mm | $h4 = 90$ mm | Weight = 0,18 kg

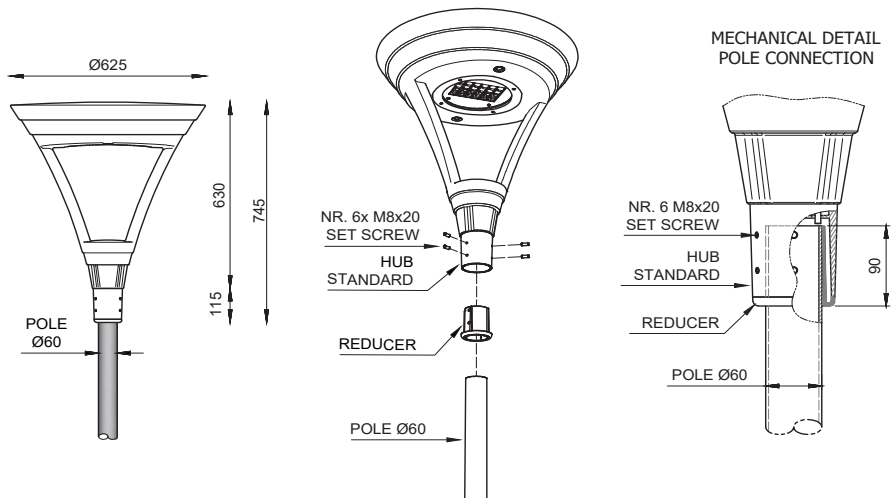
Pole connection with standard die-cast aluminium hub for Ø76 mm poles

Standard:
Code KM-OLIMPIA-P-HUB76
(for Ø76 mm poles)



Pole connection with standard die-cast aluminium hub and reducer for Ø60 mm poles

Optional:
Code KM-OLIMPIA-P-RID60
(for Ø60 mm poles)



Pole connection with nylon male accessory corresponding to pole's internal diameter

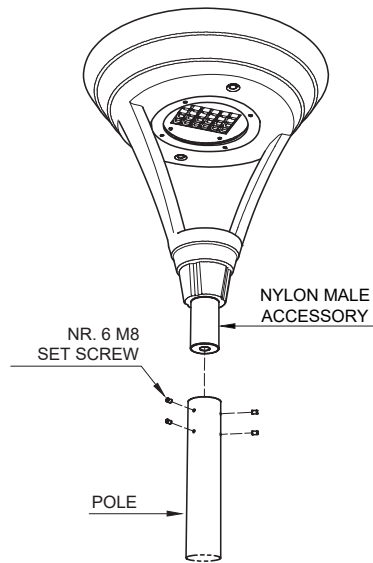
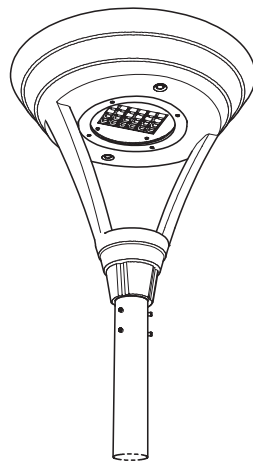
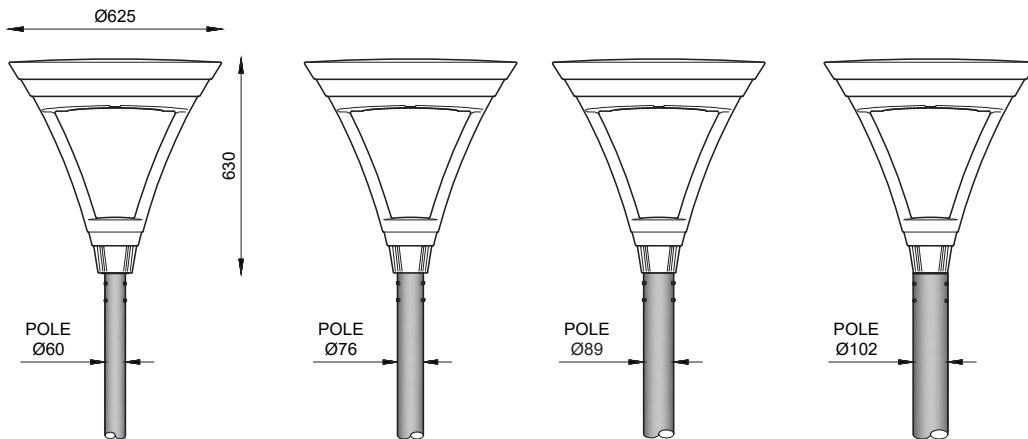
Opzionali:

KM-OLIMPIA-P-IN60 (male accessory for Ø60 mm poles)

KM-OLIMPIA-P-IN76 (male accessory for Ø76 mm poles)

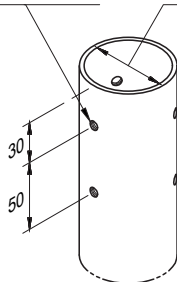
KM-OLIMPIA-P-IN89 (male accessory for Ø89 mm poles)

KM-OLIMPIA-P-IN104 (male accessory for Ø102 mm poles)

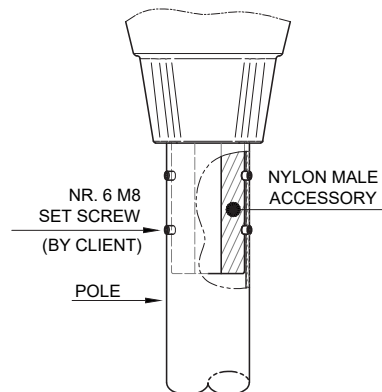


POLE END DETAIL
M8 THREADED HOLES
BY CUSTOMER

∴ 6x M8 THREADED HOLES
ON THE POLE AT 120°

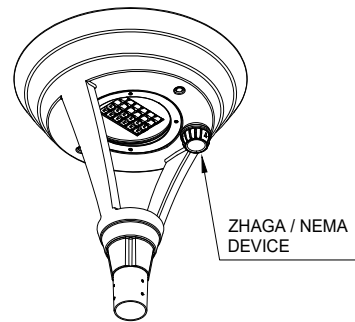
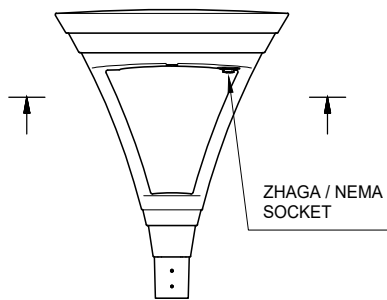
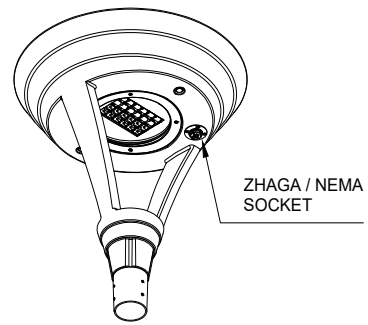
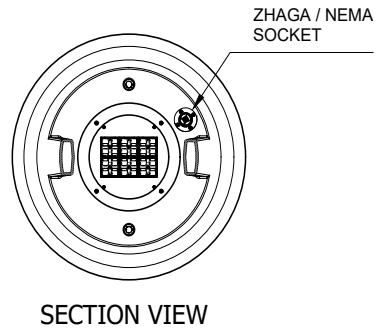


ØPOLE	ØINTERNAL MIN + MAX	Ø NYLON MALE ACC.
Ø60	Ø52 + Ø54	Ø50
Ø76	Ø68 + Ø70	Ø66
Ø89	Ø82 + Ø84	Ø80
Ø102	Ø92 + Ø90	Ø90

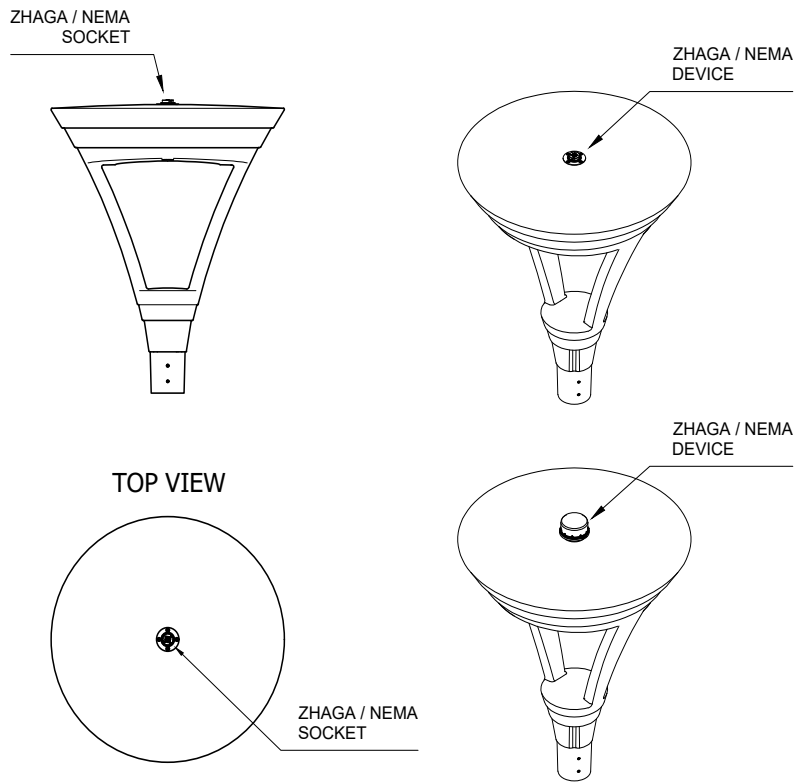


REMOTE-CONTROL DEVICES

Zhaga/Nema on the bottom



Zhaga/Nema on the top



FINISHES

Batch-dyed colours



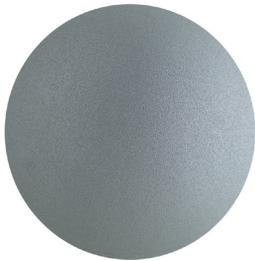
VBLK (graphite black)



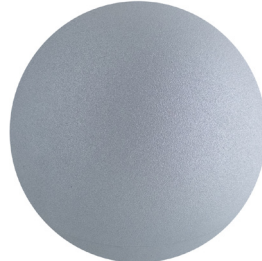
VNTH (anthracite)



VBZM (metallic bronze)



VGRM (metallic grey)



VGY1 (grey)



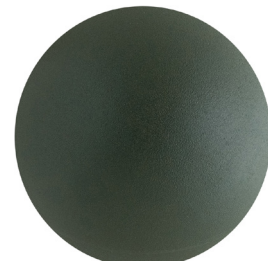
VWH1 (white)



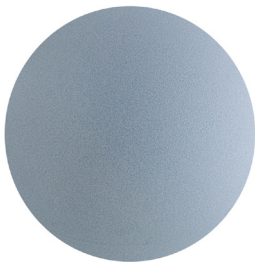
VCRT (marte)



VCR1 (venere)



VGRN (green)



VTQ1 (urano)

Floral



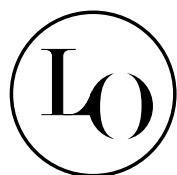
RTTN (antares)



RBLK (callisto)

OLIMPIA S

design LORELUX®



LORELUX



Concept Simple and functional design for a sustainable and resistant urban lighting with an easy maintenance.

Description Olimpia is a LED urban luminaire suitable for illuminating parks, squares and city roads. Its lighting body is made from innovative polymeric materials that respect urban ecology and resist corrosion, extreme temperatures (from - 60°C to + 80°C) and UV discolouration thanks to the innovative Rotoskin® patented system, the self-cleaning covering providing a protective shield on all exposed surfaces of the luminaire. Olimpia includes post top and post top on arm mounting, and both suspended and on catenary mounting. In addition, it offers a wide range of finishes and photometries, as well as remote-control devices guaranteeing further savings and road safety.

Materials

Mono-material (Vxxx finishes):
100% recyclable and PSV (Plastic Second Life) certified polyethylene (from 50 to 98% of post-consumer plastic content), anti-discolouration, UV stabilised and batch-dyed.

Floral (Rxxx finishes):
100% recyclable and PSV (Plastic Second Life) certified compound (with post-consumer plastic content equal to 75%), obtained from the combination of flakes and PE powders with anti-UV additives.

Product's preview



Pluses

- Lighting body's useful service life of over 50 years
- Immunity to corrosion by atmospheric agents and pollutants
- Resistance to impacts and vandalism
- No flaking or significant discolouration over time
- Interchangeable LED engine for upgrades and/or repairs
- Wide range of finishes from recycled polyethylene (PSV -Plastic Second Life- certified)
- Wide range of photometries in order to meet

Product's certifications



Material's certifications



Application areas



Mountings

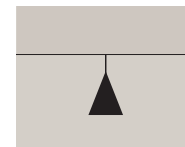
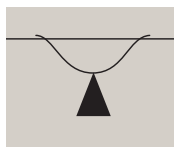
Mast arm
Code **KM-OLIMPIA-S**

Wall suspended on arm
Code **KM-OLIMPIA-S**



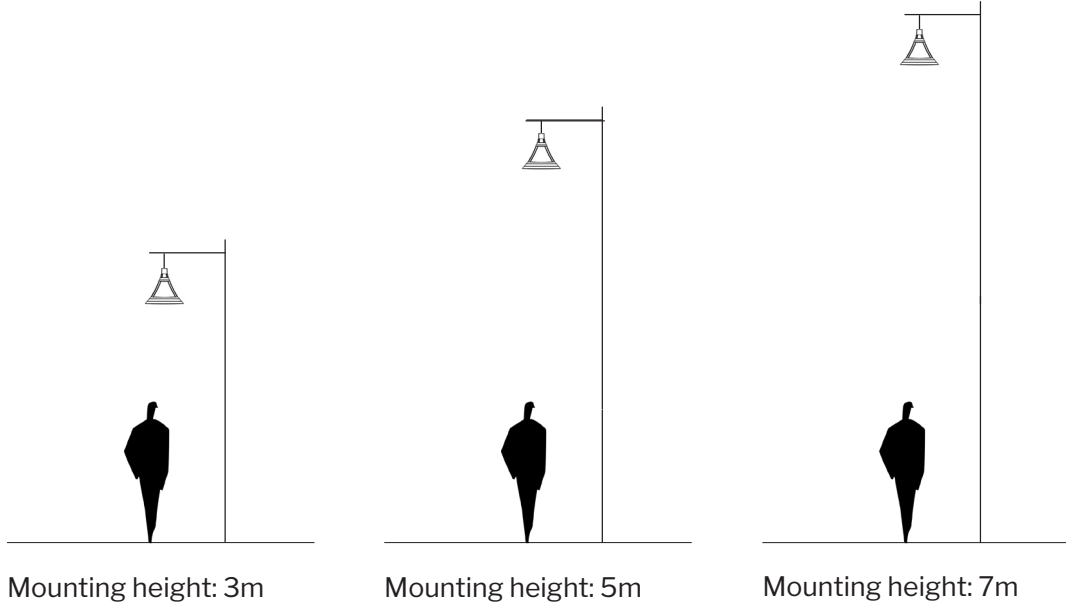
Suspended on catenary
Code **KM-OLIMPIA-T**

Ceiling suspension
Code **KM-OLIMPIA-S**



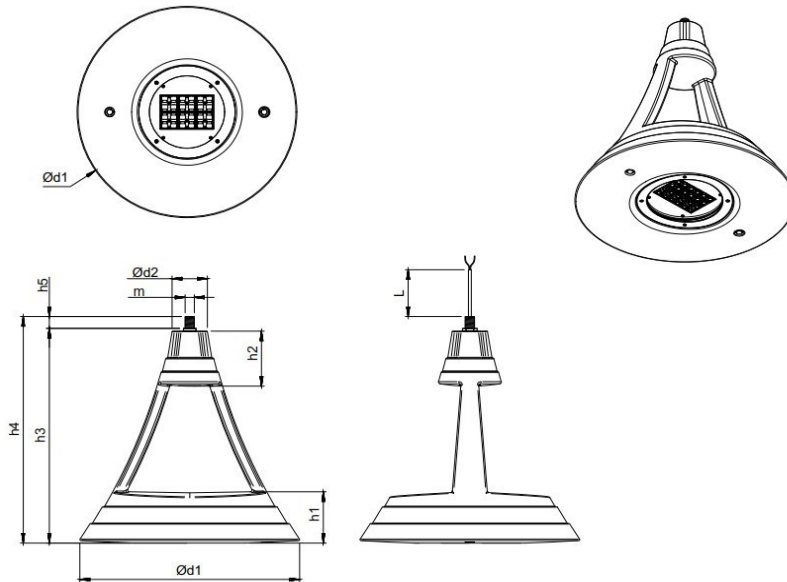


Installation examples



Technical drawing standard model

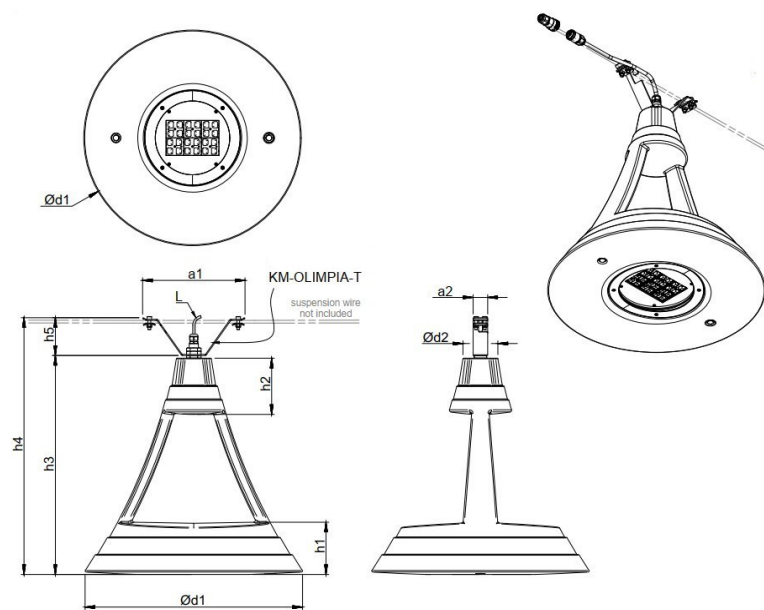
Suspended mounting: Olimpia-S luminaire + KM-OLIMPIA-S mounting kit



DIMENSION TABLE	
d1 =	Ø625 mm
d2 =	Ø100 mm
h1 =	154 mm
h2 =	163 mm
h3 =	635 mm
h4 =	670 mm
h5 =	35 mm
m =	Male Thread Standard 3/4" GAS DIN ISO 228
Outgoing cable length: L =	1000 mm
Weight =	9,5 kg
Wind exposure: Scx =	0,307 m ² base = 0,130 m ² lateral

Technical drawing optional model

Suspended on catenary: Olimpia-S luminaire + KM-OLIMPIA-T mounting kit



DIMENSION TABLE	
d1 =	Ø625 mm
d2 =	Ø100 mm
h1 =	154 mm
h2 =	163 mm
h3 =	635 mm
h4 =	745 mm
h5 =	110 mm
Outgoing cable length: L =	500 mm
Weight =	10,1 kg
Wind exposure: Scx =	0,307 m ² base = 0,130 m ² lateral

LORELUX - OLIMPIA S DATASHEET

MAIN FEATURES

Manufacturer	NITEKO S.R.L.
Brand	LORELUX®
Series	Olimpia S model
Device type	LED urban luminaire
Application areas	Street, urban and residential lighting Historic centres, squares, car parks and green areas Pedestrian areas and cycle lanes
Mounting	Mast arm, wall suspended on arm, suspended on catenary, ceiling suspension
Mounting accessories	Standard suspended: KM-OLIMPIA-S (¾" GAS connection) Optional suspended: · KM-OLIMPIA-1/2-INCH (½" GAS connection) · KM-OLIMPIA-1-INCH (1" GAS connection) · KM-S-60MM-3/4-INCH (60mm adapter - ¾" GAS) Optional on catenary: KM-OLIMPIA-T (Mounting kit for suspension on catenary)
Product's protection rating	External agents: IP66 Mechanical impacts: IK10 Chemical: VOC Free Electrical: EOS Free SPD: MC ≤ 12 kV ; MD ≤ 12kV ; I ≤ 10kA Photobiological: RG1 (D > 1,97m)
Material's protection rating	UV: 15 (15.000 h) Flame: HB Discolouration: max CMC 3 colour deviation for 3.000 h according to ISO 4892-2 B1 cycle
Temperature	Operating: -40°C ÷ +45°C (Control via N.T.C.) Storage: -40°C ÷ +80°C
Energy rating	>A++
Warranty	Body: 20 years Light source: 10 years
Certifications	Product: CE; ENEC; RoHS; EOS free; VOC free; EPD Italy (Pending); IEC/EN 62262 Material: UL94; ISO 4892-2; PSV (Plastic Second Life)
Optical compartment / Electric compartment	Separated Opening of the compartments after removal of the anti-fall fixing screws Optional Tool Less Opening

LORELUX - OLIMPIA S DATASHEET

OPTICAL FEATURES

Light source	HI Power LED
LED modules	PCB, independent and replaceable
Optics	Independent and replaceable
Nominal luminous flux	2.173 ÷ 12.998 lm
Light source efficiency	<ul style="list-style-type: none"> · $\eta_{LED} > 180 \text{ lm/W}$ (CCT > 4.000 K / CRI > 70) · $\eta_{LED} > 170 \text{ lm/W}$ (CCT > 3.000 K / CRI > 70) · $\eta_{LED} > 160 \text{ lm/W}$ (CCT > 2.700 K / CRI > 70) · $\eta_{LED} > 150 \text{ lm/W}$ (CCT > 2.200 K / CRI > 70)



LORELUX - OLIMPIA S DATASHEET

Colour temperature	Standard CCT: 3.000K Optional CCT: 2.200K; 2.700K; 4.000K; 5.000K; 5.700K Colour stability: 3 Step MacAdam
Colour rendering index	Standard CRI: 70 Optional CRI: 80; 90
Photometries	Asymmetric; elliptic; roto-symmetric; symmetric; pedestrian
Optical accessories	B.L.S. (Back Light Stop) Code: KM - OLIMPIA - BLS
Optical performance	Standard: $\eta_{OPT} : 79 \div 90 \%$ Optional with KM - OLIMPIA - BLS accessory: $\eta_{OPT} : 69 \div 81\%$
Lighting fixture efficiency	$\eta_{FIX} > 130 \text{ lm/W}$ (CCT > 4.000 K / CRI > 70) $\eta_{FIX} > 125 \text{ lm/W}$ (CCT > 3.000 K / CRI > 70) $\eta_{FIX} > 115 \text{ lm/W}$ (CCT > 2.700 K / CRI > 70) $\eta_{FIX} > 105 \text{ lm/W}$ (CCT > 2.200 K / CRI > 70)
Light intensity class	$\geq G^*2$
Glare index	$\geq D.4$
ULR / ULOR	0,00%
Service life	L98 B10: > 100.000 h (TJ = 85 ° C IF \leq 500mA) L90 B10: > 120.000 h (TJ = 85 ° C IF \leq 500mA) L80 B10: > 270.000 h (TJ = 85 ° C IF \leq 500mA) L70 B10: > 450.000 h (TJ = 85 ° C IF \leq 500mA)

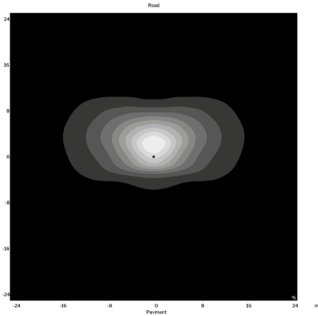
LORELUX - OLIMPIA S DATASHEET

CONFIGURATIONS

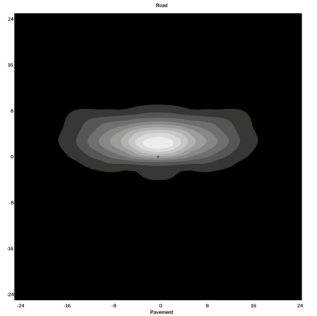
Model	Power [W]	Nominal luminous flux [lm]			
		4.000 K CRI 70 5.000 K CRI 70 5.700 K CRI 70	3.000 K CRI 70	2.700 K CRI 70 4.000 K CRI 80	2.200 K CRI 70 2.700 K CRI 80 3.000 K CRI 80 5.700 K CRI 90
OLIMPIA-S 15 W	15,7	2.823	2.694	2.440	2.173
OLIMPIA-S 20 W	20,8	3.860	3.672	3.333	2.961
OLIMPIA-S 30 W	24,6	4.533	4.314	3.913	3.470
	30,9	5.582	5.298	4.816	4.260
OLIMPIA-S 40 W	34,6	6.172	5.852	5.323	4.692
	39,2	6.882	6.519	5.930	5.209
OLIMPIA-S 50 W	36,4	6.896	6.564	5.957	5.299
	40,7	7.721	7.343	6.667	5.923
	46,5	8.798	8.370	7.595	6.739
	51,3	9.591	9.120	8.279	7.341
OLIMPIA-S 60 W	54,6	10.115	9.611	8.730	7.738
	62,0	11.426	10.842	9.858	8.713
OLIMPIA-S 70 W	64,0	11.819	11.211	10.196	9.002
	71,4	12.998	12.319	11.209	9.857

PHOTOMETRIES

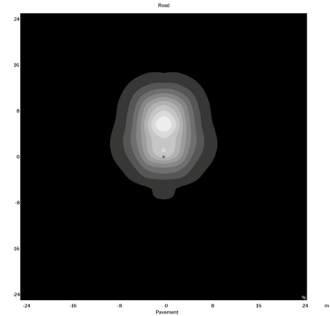
Asymmetric



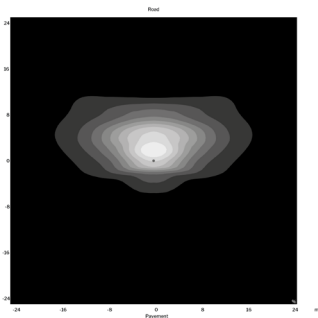
Code A1 ($\eta = 84\% \mid G^*6$)



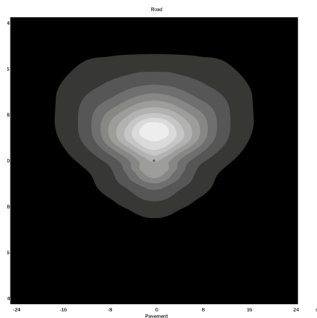
Code A2 ($\eta = 84\% \mid G^*4$)



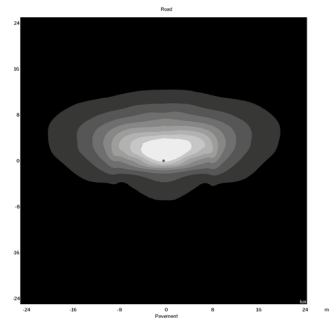
Code A3 ($\eta = 87\% \mid G^*6$)



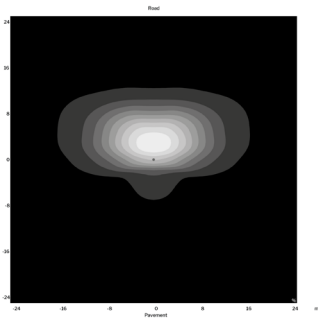
Code A4 ($\eta = 83\% \mid G^*6$)



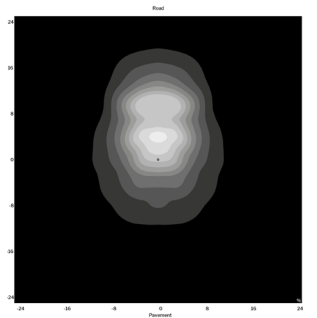
Code A7 ($\eta = 79\% \mid G^*2$)



Code A8 ($\eta = 82\% \mid G^*1$)

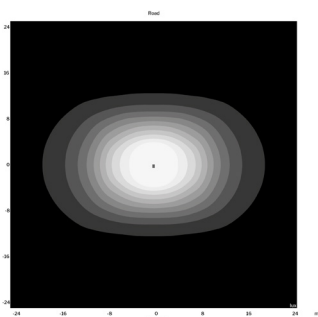


Code A9 ($\eta = 85\% \mid G^*4$)



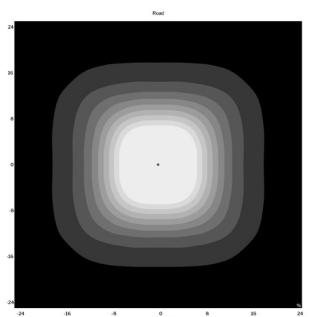
Code A13 ($\eta = 81\% \mid G^*6$)

Elliptic



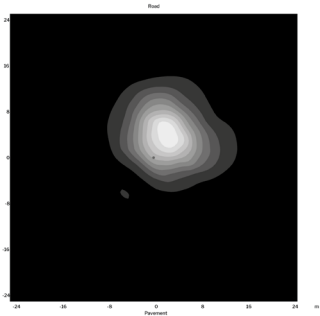
Code E3 ($\eta = 87\% \mid G^*6$)

Rotosymmetric

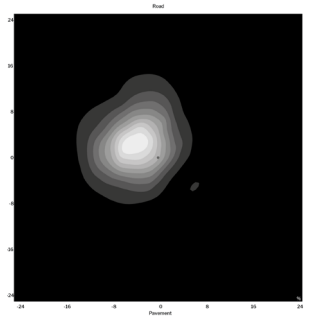


Code R1 ($\eta = 82\% \mid G^*6$)

Pedestrian

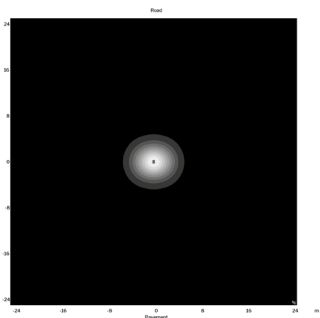


Codice PCDX ($\eta = 85\% \mid G^*6$)

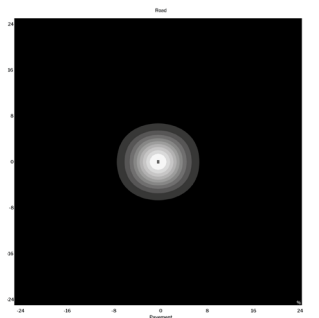


Codice PCSX ($\eta = 85\% \mid G^*6$)

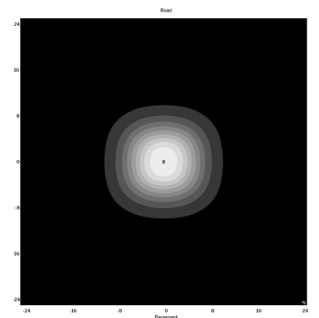
Symmetric



Code 25 ($\eta = 90\% \mid G^*6$)



Code 50 ($\eta = 90\% \mid G^*6$)



Code 100 ($\eta = 86\% \mid G^*6$)

Optional

Other photometries available on request.

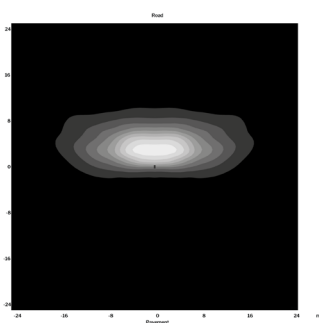
OPTICAL ACCESSORIES

Code **KM-OLIMPIA-BLS**

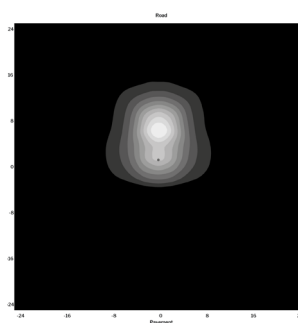


PHOTOMETRIES WITH **KM-OLIMPIA-BLS** OPTICAL ACCESSORY

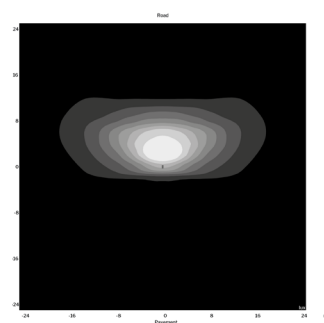
Asymmetric



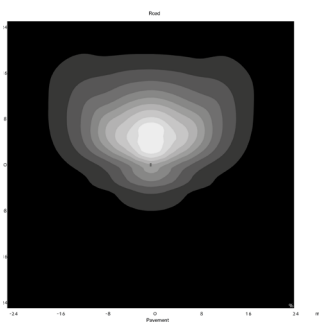
Code **BA2** ($\eta = 79\%$ | G^*6)



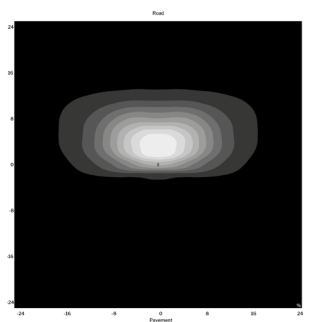
Code **BA3** ($\eta = 81\%$ | G^*4)



Code **BA4** ($\eta = 77\%$ | G^*6)



Code **BA7** ($\eta = 69\%$ | G^*6)



Code **BA9** ($\eta = 81\%$ | G^*2)

LORELUX - OLIMPIA S DATASHEET

ELECTRICAL FEATURES

Power supply	Standard 240V AC : 175 ÷ 264 V AC; 50 / 60 Hz Optional 240V AC: 120 ÷ 277 V AC; 50 / 60 Hz Optional 12V DC: 9 ÷ 18 V DC Optional 24V DC: 18 ÷ 32 V DC
LED power current	$I_f \leq 500 \text{ mA}$
Insulation class	Standard: class II Optional: class I
Power	15 ÷ 70W
Power factor	PF > 0,97 (Active PFC)
Electrical efficiency	$\eta_{EL} : 83 \div 92 \%$
Electrical connection	External power cable (IP66 protected electrical connector). Olimpia S standard cable length: 1,0 m Olimpia T standard cable length: 0,5 m Standard Cable (Class II): H07RN-F 2x1,5mmq; Optional Cable (Class I):H07RN-F 3x1,5mmq; Optional Cable (DALI): H07RN-F 5x1,5mmq;
Electrical protection	Built-in SPD: C.M. $\leq 12 \text{ kV}$; D.M. $\leq 12 \text{ kV}$; I $\leq 10 \text{ kA}$

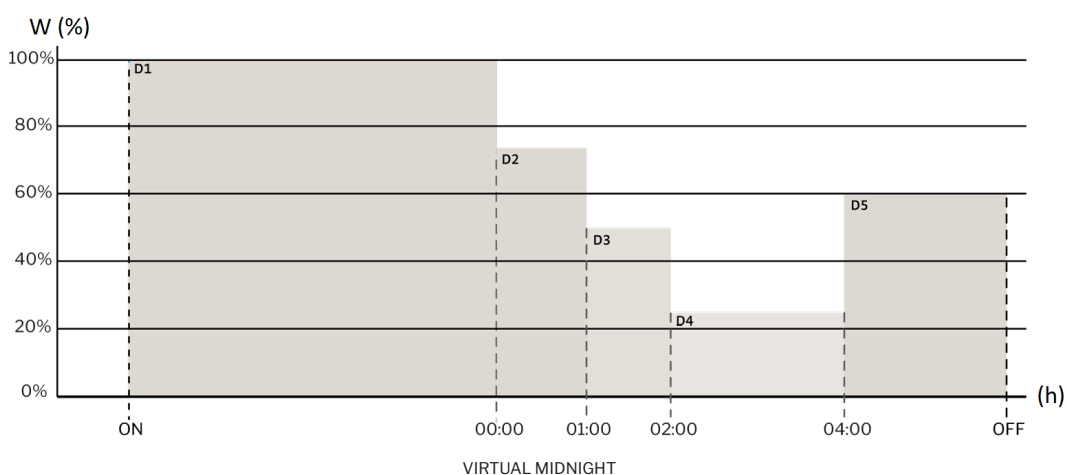


CONTROL FEATURES

Autonomous dimming	K-OLIMPIA-PRG5: automatic control up to 5 daily profiles
	K-OLIMPIA-CLO.LITE: constant lighting control during the lifetime with a single profile
	K-OLIMPIA-CLO.FULL: constant lighting control during the lifetime up to 20 profiles
Control cable dimming	K-OLIMPIA-DIM: 1-10V analogue control
	K-OLIMPIA-DALI: DALI digital control
	K-OLIMPIA-D4i: DALI 2.0 / AUX 24 V DC digital control
Power Line control dimming	K-OLIMPIA-PLV: Power Line Voltage control
Radio wave control	K-OLIMPIA-NEMASCK: control with NEMA device
	K-OLIMPIA-ZAGHASCK: control with ZHAGA device

CONTROL FUNCTIONS

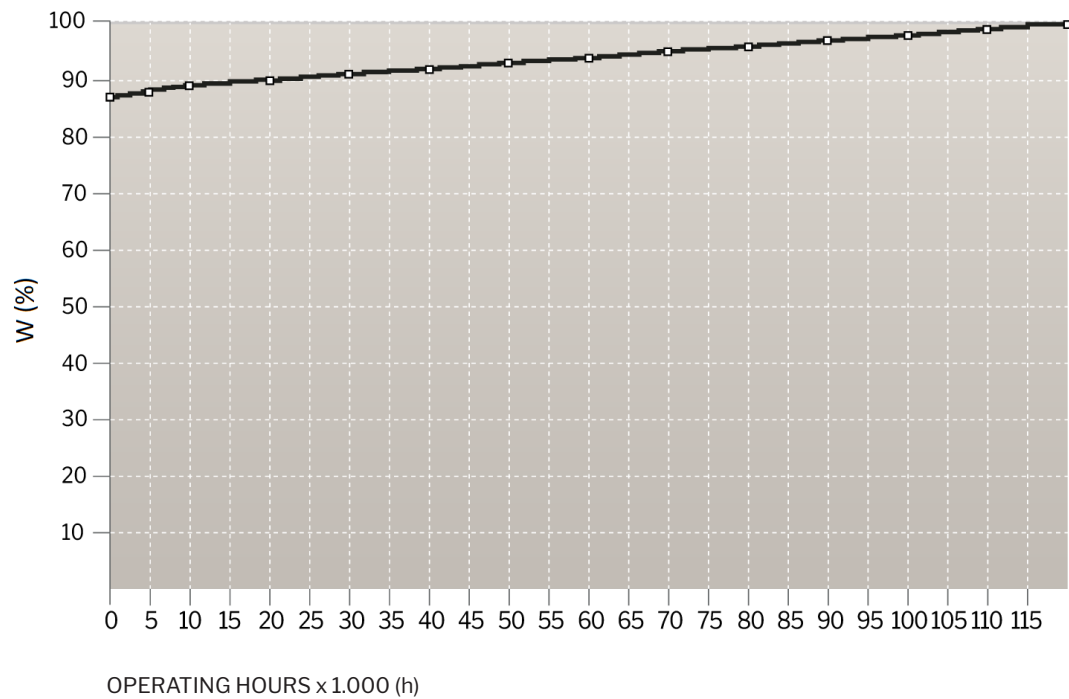
PRG5 module



The PRG module allows to control and reduce the luminous flux of the lighting fixture from 10% to 100% of the maximum value, without the use of dedicated cables

- D1: time slot ON - 23:59 → power 100%
- D2: time slot 00:00 - 00:59 → power 75%
- D3: time slot 01:00 - 01:59 → power 50%
- D4: time slot 02:00 - 03:59 → power 25%
- D5: time slot 04:00 - OFF → power 60%

CLO module

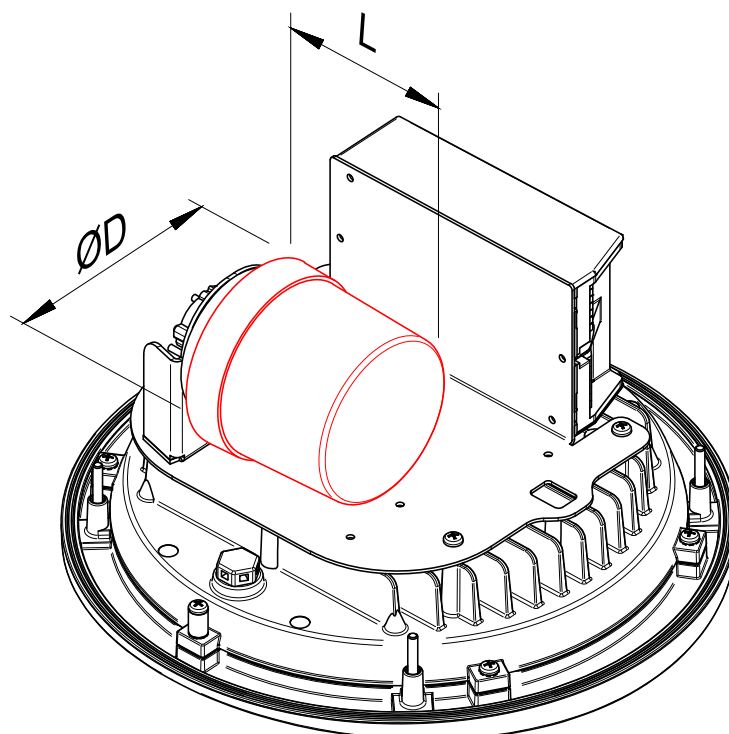
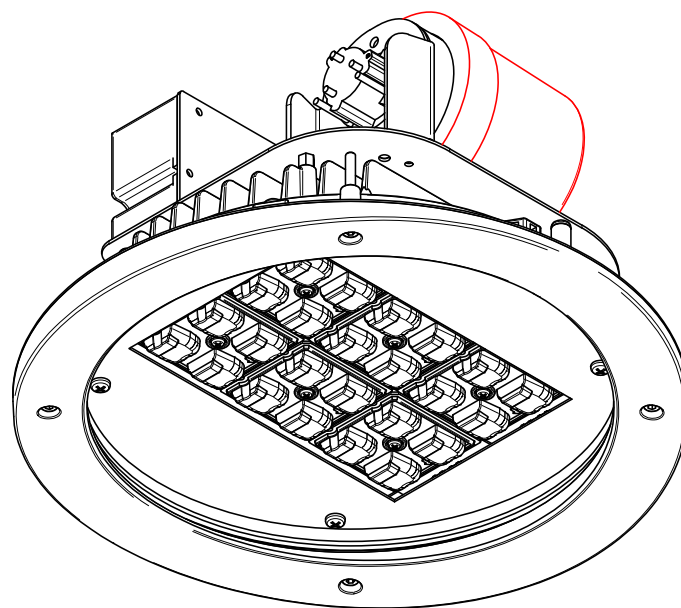


The CLO function allows to gradually increase the level of light output over time from a lower initial luminous flux up to 100%, thus compensating the luminous flux degradation of the LED module during the lighting fixture entire lifetime. It can also serve as a means to reduce energy consumption.

ELECTRIC COMPARTMENT

Maximum possible
dimensions [mm] for
remote-control devices:

$\text{ØD} \times \text{L} = 84 \times 74$



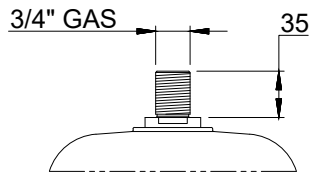
LORELUX - OLIMPIA S DATASHEET

MECHANICAL FEATURES

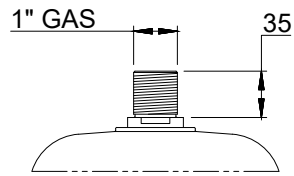
Materials	<p>Body: UV stabilised, self-cleaning, anti-discolouration and PSV (Plastic Second Life) certified polyethylene, 5 mm minimum thickness</p> <p>Heat sink: die-cast aluminium</p> <p>LED modules: aluminium</p> <p>Optics: PMMA, PC</p> <p>Screen: tempered flat glass, 5 mm thickness</p> <p>Gaskets: silicone</p> <p>Anti-condensation valves: PA (polyamide)</p> <p>Accessories: stainless steel</p> <p>Screws: stainless steel</p> <p>Packaging: FSC cardboard</p>
Recycled plastic content	<p>Black: 98%</p> <p>Coloured: 50%</p> <p>Floral: 75%</p>
Service life	<p>Body: >50 years</p> <p>Components: >10 years</p>
Dimensions and weight	<p>Suspended model: Ø625 x h 670 mm 9,50 kg</p> <p>On catenary model: Ø625 x h 745 mm 10,10 kg</p>
Wind exposure	<p>Base: 0,307 mq</p> <p>Lateral: 0,130 mq</p>
Packaging free from both polystyrene and internal cardboard inserts	<p>Primary (suspended): W650 x L650 x H800 mm 11,5 kg 1 pcs / box (eco-friendly packaging)</p> <p>Tertiary (suspended): W800 x L1.300 x H1.750 mm 60,0 kg 4 pcs / pallet (eco-friendly packaging)</p> <p>Primary (on catenary): W650 x L650 x H800 mm 12,5 kg 1 pcs / box (eco-friendly packaging)</p> <p>Tertiary (on catenary): W800 x L1.300 x H1.750 mm 70,0 kg 4 pcs / pallet (eco-friendly packaging)</p>
Tolerance: luminous flux +/-5%; power consumption +/- 5%; dimensions +/-1%; weight +/-3%	

LORELUX - OLIMPIA S DATASHEET

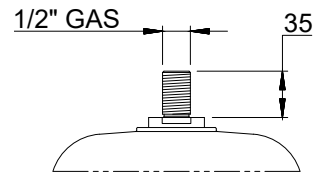
MOUNTING ACCESSORIES



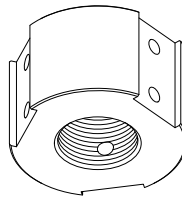
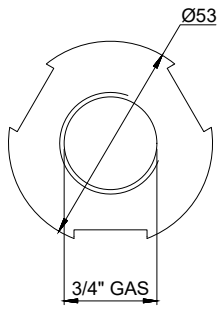
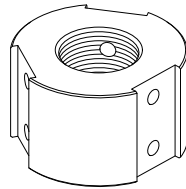
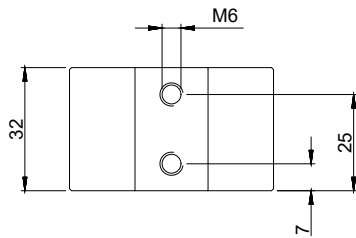
Standard:
Code KM-OLIMPIA-S



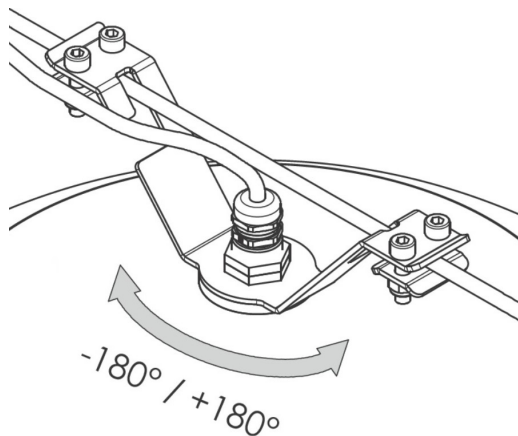
Optional:
Code KM-OLIMPIA-1-INCH



Optional:
Code KM-OLIMPIA-1/2-INCH



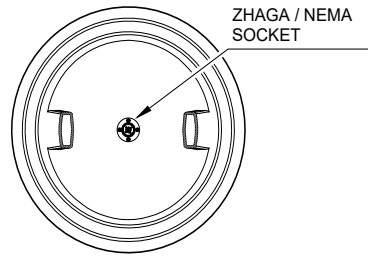
Optional:
3/4" GAS adapter for Ø60mm poles.
Code KM-S-60MM-3/4-INCH



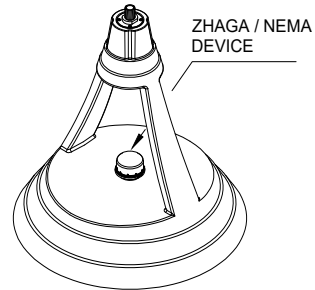
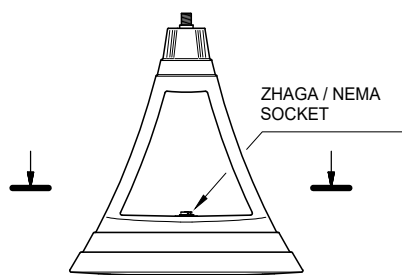
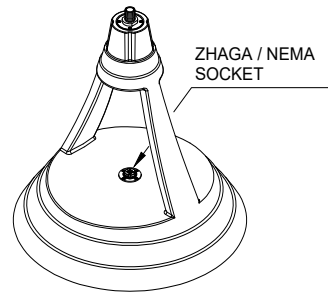
Optional:
Code KM-OLIMPIA-T

REMOTE-CONTROL DEVICES

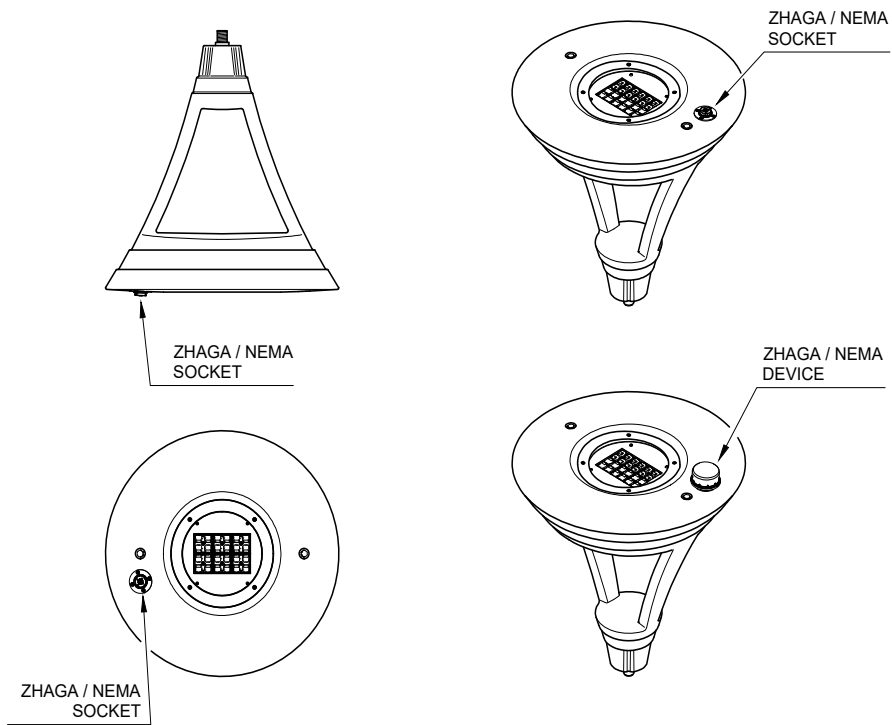
Zhaga/Nema on the top



SECTION VIEW



Zhaga/Nema on the bottom



FINISHES

Batch-dyed colours



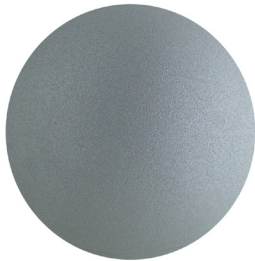
VBLK (graphite black)



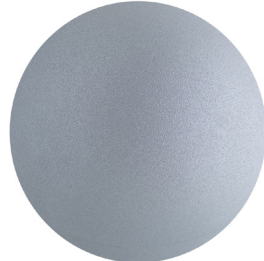
VNTH (anthracite)



VBZM (metallic bronze)



VGRM (metallic grey)



VGY1 (grey)



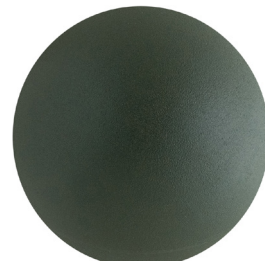
VWH1 (white)



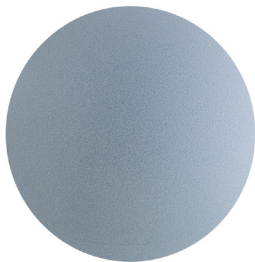
VCRT (marte)



VCR1 (venere)



VGRN (green)



VTQ1 (urano)

Floral



RTTN (antares)



RBLK (callisto)